

G. L. WESTMAN.
PNEUMATIC CARPET SWEEPER.

(Application filed Nov. 5, 1898.)

(No Model.)

Fig. 1.

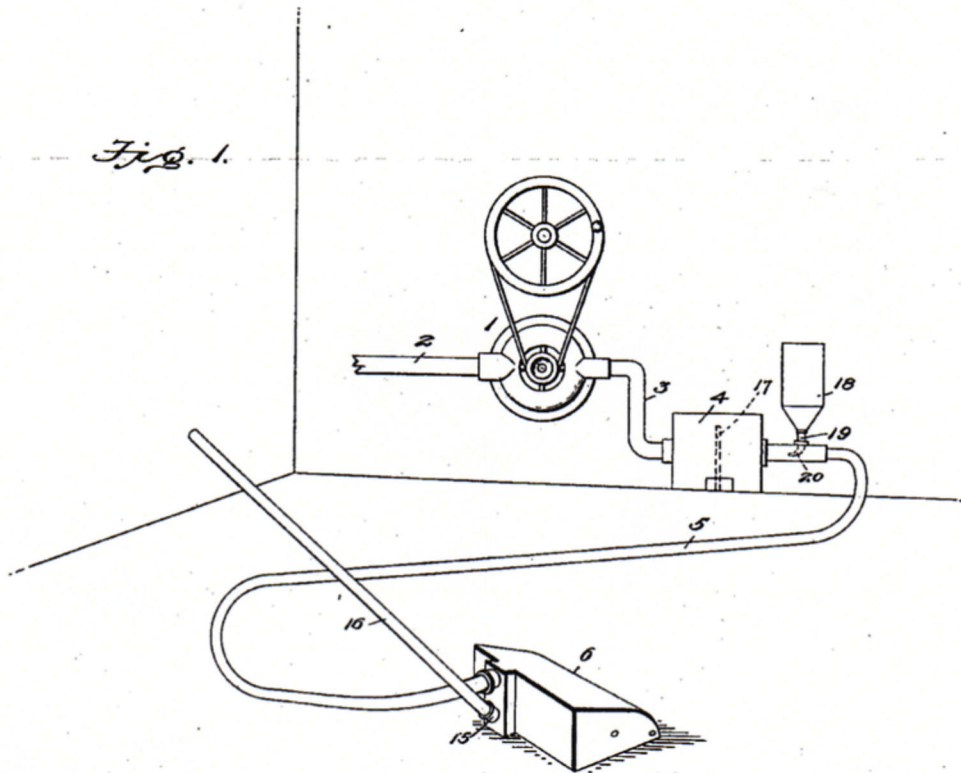


Fig. 2.

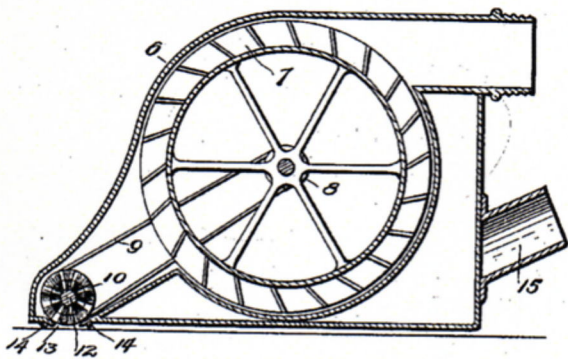
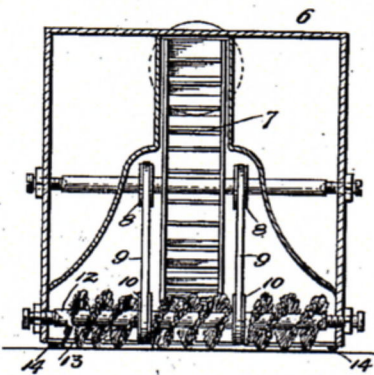


Fig. 3.



Witnesses
C. Hunt
J. Wilson

Inventor
 George L. Westman
 by *A. B. Wilson & Co*
 Attorneys

