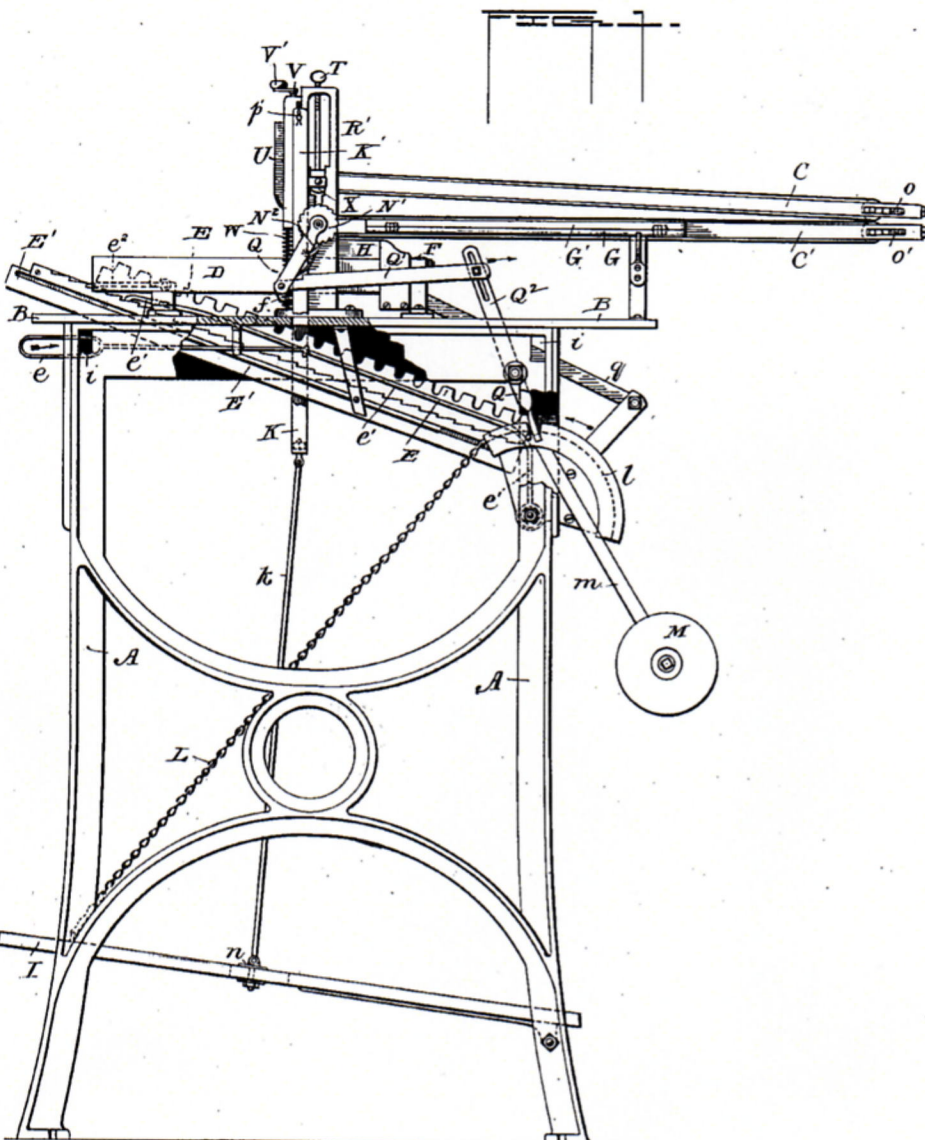


G. L. WESTMAN & J. DELARUE.

CIGAR BUNCHING MACHINE.

No. 446,989.

Patented Feb. 24, 1891.



WITNESSES

*L. A. Connor Jr.*  
*Raleigh Sherman*

INVENTOR

*George L. Westman*  
*Joseph Delarue*  
*P. E. Dye Atty*

